

sealed maintenance-free lead-acid **TECHNOCELL** battery **TCL** series



Batteries made in **AGM technology** - electrolyte is absorbed in highly porous fiber glass separators placed between the plates. One-way, self-regulating pressure relief valves prevent the case from blowing up, by preventing excessive buildup of pressure in the cells. They have a low internal resistance, which means a longer working time.

TCL 80-12

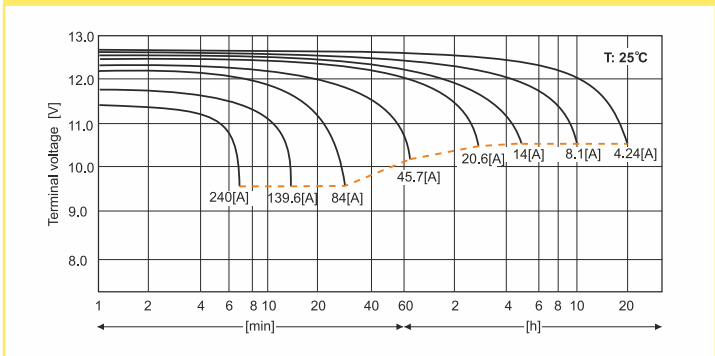
MAIN APPLICATIONS

- uninterruptible power supplies
- cash registers and fiscal printers
- telecommunication PABX
- marine
- fire and security systems
- emergency lighting systems
- golf-carts, wheelchairs
- solar powered systems

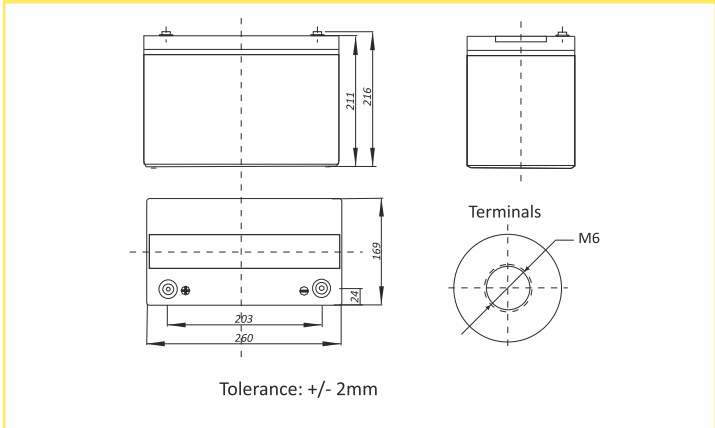
TECHNICAL DATA

Nominal voltage	12 V
Nominal capacity	80Ah/C ₁₀ 1,75V/cell @25°C
Designed life	10-12 years @ 20°C 6-8 years @ 25°C
Weight	~ 22,5 kg
Internal resistance	~ 7 mΩ*
Dimensions	
Height	216 mm
Length	260 mm
Width	169 mm
Charging voltage @ 25°C	
Standby use	13,6 V - 13,8 V (-18mV/°C)
Cycle use	14,6 V - 14,8 V (-24mV/°C)
Charging current	
Recommended	8,0 A
Maximum	24,0 A
Max. discharge current (5s)	800 A
Ambient nominal temperature range	
Storage	-20°C - 60°C
Charge	0°C - 50°C
Discharge	-20°C - 60°C
Container material	
Standard	ABS UL 94-HB
Optional	ABS UL 94-V0

DISCHARGE CHARACTERISTICS



DIMENSIONS



*for a fully charged battery

Constant current discharge (Current [A], 25 [°C] / 77 [°F])

U _f [V/cell]	Discharge time										
	10 min	15 min	30min	1h	2h	3h	4h	5h	8h	10h	20h
1,75	138,6	116,3	73,8	44,0	26,3	20,6	16,4	14,0	9,74	8,10	4,24
1,70	151,4	125,0	77,2	45,7	27,3	21,3	16,8	14,3	9,87	8,21	4,29
1,65	164,4	133,4	81,0	47,2	28,2	21,9	17,3	14,7	10,0	8,34	4,34

Constant power discharge (Power [W/cell], 25 [°C] / 77 [°F])

U _f [V/cell]	Discharge time										
	10 min	15 min	30min	1h	2h	3h	4h	5h	8h	10h	20h
1,75	248,9	221,3	141,0	84,2	50,6	39,9	31,8	27,2	19,1	16,0	8,38
1,70	267,1	234,4	146,1	86,9	52,2	41,0	32,5	27,8	19,4	16,2	8,47
1,65	284,9	246,6	151,3	89,2	53,7	41,9	33,2	28,4	19,6	16,4	8,57

U_f - Final voltage

