

# sealed maintenance-free lead-acid **TECHNOCELL** battery **TCL** series



## TCL 55-12

Batteries made in **AGM technology** - electrolyte is absorbed in highly porous fiber glass separators placed between the plates. One-way, self-regulating pressure relief valves prevent the case from blowing up, by preventing excessive buildup of pressure in the cells. They have a low internal resistance, which means a longer working time.

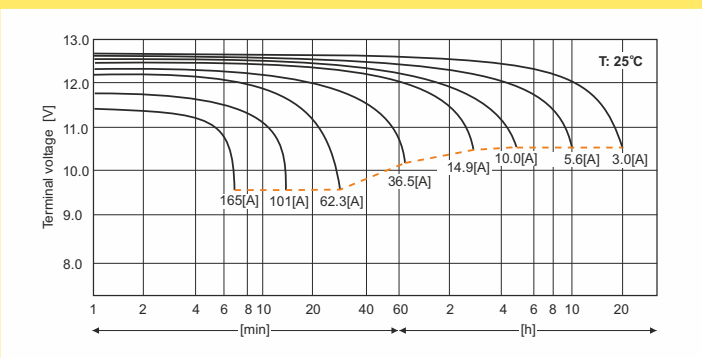
### MAIN APPLICATIONS

- uninterruptible power supplies
- cash registers and fiscal printers
- telecommunication PABX
- marine
- fire and security systems
- emergency lighting systems
- golf-carts, wheelchairs
- solar powered systems

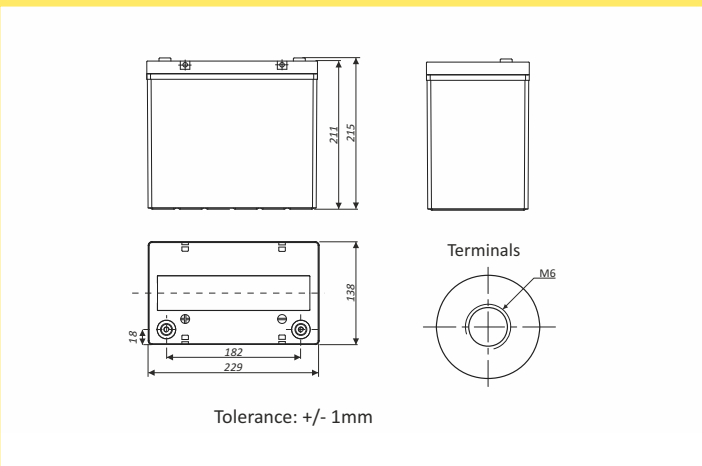
### TECHNICAL DATA

Nominal voltage	12 V
Nominal capacity	55Ah/C <sub>10</sub> , 1,80V/cell @25°C 6-8 years @ 25°C
Designed life	10-12 years @ 20°C according Eurobat, Long Life group
Weight	~ 16,5 kg
Internal resistance	~ 8,6 mΩ*
<b>Dimensions</b>	
Height	215 mm
Length	229 mm
Width	138 mm
<b>Charging voltage @ 25°C</b>	
Standby use	13,6 V - 13,8 V (-18mV/°C)
Cycle use	14,6 V - 14,8 V (-24mV/°C)
<b>Charging current</b>	
Recommended	5,5 A
Maximum	13,8 A
Max. discharge current (5s)	660 A
<b>Ambient nominal temperature range</b>	
Storage	-20°C - 60°C
Charge	0°C - 50°C
Discharge	-20°C - 60°C
<b>Container material</b>	
Standard	ABS UL 94-HB
Optional	ABS UL 94-V0

### DISCHARGE CHARACTERISTICS



### DIMENSIONS



\*for a fully charged battery

### Constant current discharge (Current [A], 25 [°C] / 77 [°F])

U <sub>f</sub> [V/cell]	Discharge time											
	5 min	10 min	15 min	30min	1h	2h	3h	4h	5h	8h	10h	20h
1,75	166,0	119,5	95,0	60,6	36,0	20,6	14,9	11,7	10,0	6,63	5,56	2,96
1,70	180,0	126,4	98,8	61,2	36,5	21,0	15,0	11,8	10,1	6,68	5,61	2,97
1,65	188,0	131,3	101,0	62,3	36,8	21,1	15,3	12,0	10,2	6,74	5,67	2,99

### Constant power discharge (Power [W/cell], 25 [°C] / 77 [°F])

U <sub>f</sub> [V/cell]	Discharge time											
	5 min	10 min	15 min	30min	1h	2h	3h	4h	5h	8h	10h	20h
1,75	290,0	219,0	177,0	113,0	68,4	39,7	28,6	22,4	19,2	12,9	10,7	5,86
1,70	311,0	223,0	178,0	114,0	68,9	39,9	28,8	22,6	19,4	13,0	10,8	5,89
1,65	313,0	234,0	180,0	114,0	69,5	40,0	28,9	22,8	19,5	13,1	10,9	5,91

U<sub>f</sub> - Final voltage

