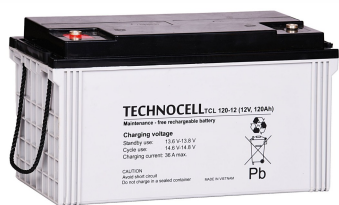


# sealed maintenance-free lead-acid **TECHNOCELL** battery **TCL series**



## TCL 120-12

Batteries made in **AGM technology** - electrolyte is absorbed in highly porous fiber glass separators placed between the plates. One-way, self-regulating pressure relief valves prevent the case from blowing up, by preventing excessive buildup of pressure in the cells. They have a low internal resistance, which means a longer working time.

### MAIN APPLICATIONS

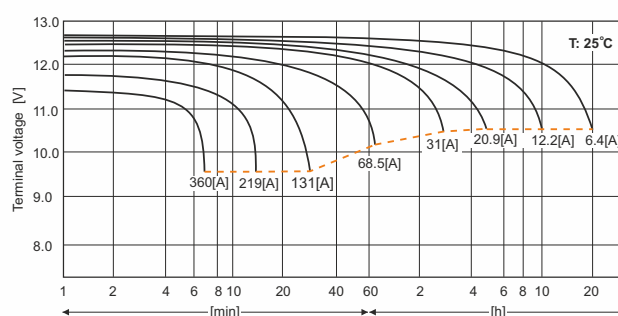
- uninterruptible power supplies
- cash registers and fiscal printers
- telecommunication PABX
- marine
- fire and security systems
- emergency lighting systems
- golf-carts, wheelchairs
- solar powered systems

### TECHNICAL DATA

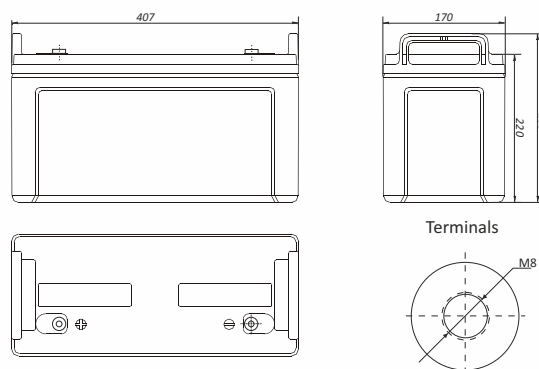
Nominal voltage	12 V
Nominal capacity	120Ah/C <sub>10</sub> 1,80V/cell @25°C
Designed life	6-8 years @ 25°C 10-12 years @ 20°C according Eurobat, Long Life group
Weight	~ 33,5 kg
Internal resistance	~ 4,2 mΩ*
<b>Dimensions</b>	
Height	233 mm
Length	407 mm
Width	170 mm
<b>Charging voltage @ 25°C</b>	
Standby use	13,6 V - 13,8 V (-18mV/°C)
Cycle use	14,6 V - 14,8 V (-24mV/°C)
<b>Charging current</b>	
Recommended	12,0 A
Maximum	30,0 A
Max. discharge current (5s)	1440 A
<b>Ambient nominal temperature range</b>	
Storage	-20°C - 60°C
Charge	0°C - 50°C
Discharge	-20°C - 60°C
<b>Container material</b>	
Standard	ABS UL 94-HB
Optional	ABS UL 94-V0

\*for a fully charged battery

### DISCHARGE CHARACTERISTICS



### DIMENSIONS



Tolerance: +/-2mm

### Constant current discharge (Current [A], 25 [°C] / 77 [°F])

U <sub>f</sub> [V/cell]	Discharge time										
	10 min	15 min	30min	1h	2h	3h	4h	5h	8h	10h	20h
1,75	257,1	209	132	78,6	45,0	32,5	25,7	21,9	14,5	12,1	6,46
1,70	270,0	216	133	79,7	45,7	32,8	25,9	22,1	14,6	12,2	6,48
1,65	279,4	220	136	80,3	46,1	33,3	26,1	22,3	14,7	12,4	6,52

### Constant power discharge (Power [W/cell], 25 [°C] / 77 [°F])

U <sub>f</sub> [V/cell]	Discharge time										
	10 min	15 min	30min	1h	2h	3h	4h	5h	8h	10h	20h
1,75	475,0	386	246	149	86,6	62,4	49,1	42,0	28,2	23,3	12,8
1,70	485,0	388	248	150	87,0	62,8	49,4	42,2	28,5	23,5	12,8
1,65	499,0	393	248	152	87,4	63,2	49,8	42,6	28,6	23,8	12,9

U<sub>f</sub> - Final voltage

# TECHNOCELL

www.emu.com.pl



Help restore balance in nature.  
Recycle the used battery.