

# sealed maintenance-free lead-acid **TECHNOCELL** battery **TCL** series



## TCL 12-12

Batteries made in **AGM technology** - electrolyte is absorbed in highly porous fiber glass separators placed between the plates. One-way, self-regulating pressure relief valves prevent the case from blowing up, by preventing excessive buildup of pressure in the cells. They have a low internal resistance, which means a longer working time.

### MAIN APPLICATIONS

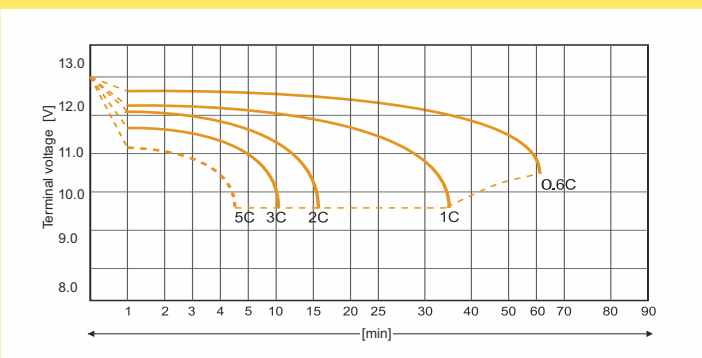
- uninterruptible power supplies
- cash registers and fiscal printers
- telecommunication PABX
- marine
- fire and security systems
- emergency lighting systems
- golf-carts, wheelchairs
- solar powered systems

### TECHNICAL DATA

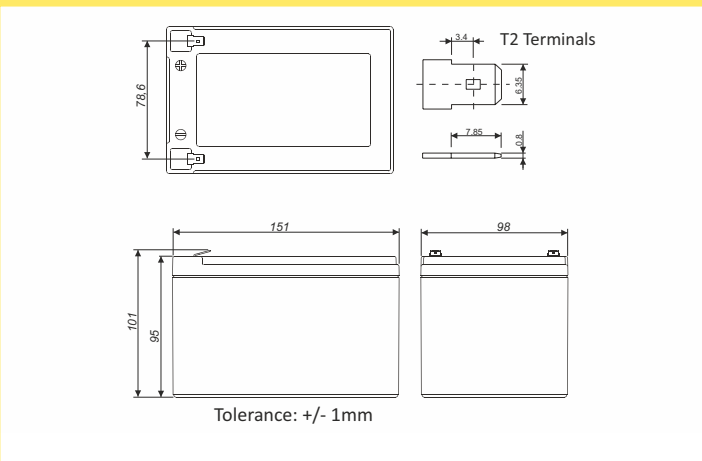
Nominal voltage	12 V
Nominal capacity	12Ah/C <sub>20</sub> 1,75V/cell @25°C
Designed life	6-8 years @ 25°C 10-12 years @ 20°C according Eurobat, Long Life group
Weight	~ 3,15 kg
Internal resistance	~ 16,5 mΩ*
<b>Dimensions</b>	
Height	101 mm
Length	151 mm
Width	98 mm
<b>Charging voltage @ 25°C</b>	
Standby use	13,7 V - 13,9 V (-18mV/°C)
Cycle use	14,6 V - 14,8 V (-24mV/°C)
<b>Charging current</b>	
Recommended	1,2 A
Maximum	3,6 A
Max. discharge current (5s)	120 A
<b>Ambient nominal temperature range</b>	
Storage	-20°C - 60°C
Charge	0°C - 50°C
Discharge	-20°C - 60°C
<b>Container material</b>	
Standard	ABS UL 94-HB
Optional	ABS UL 94-V0

\*for a fully charged battery

### DISCHARGE CHARACTERISTICS



### DIMENSIONS



### Constant current discharge (Current [A], 25 [°C] / 77 [°F])

U <sub>f</sub> [V/cell]	Discharge time							
	5 min	8 min	10 min	15 min	20 min	30 min	60 min	90 min
1,75	44,3	36,0	31,4	23,8	19,1	13,8	7,87	5,64
1,70	47,8	38,6	33,5	25,2	20,1	14,4	8,14	5,81
1,65	49,9	40,6	34,7	26,0	20,6	14,8	8,32	5,92

### Constant power discharge (Power [W/cell], 25 [°C] / 77 [°F])

U <sub>f</sub> [V/cell]	Discharge time							
	5 min	8 min	10 min	15 min	20 min	30 min	60 min	90 min
1,75	82,0	67,0	58,7	44,8	36,2	26,2	15,1	10,9
1,70	87,7	71,1	61,9	47,0	37,6	27,1	15,5	11,1
1,65	90,9	73,5	63,8	48,0	38,4	27,7	15,8	11,3

U<sub>f</sub> - Final voltage

