



Batteries made in **AGM technology**. They have low internal resistance. The **ALARMTEC** batteries are dedicated for standby use with long discharge times and small discharge currents.

### MAIN APPLICATIONS

- fire and security systems
- emergency lighting systems
- cash registers and fiscal printers
- telecommunication PABX
- automatic and security systems emergency power

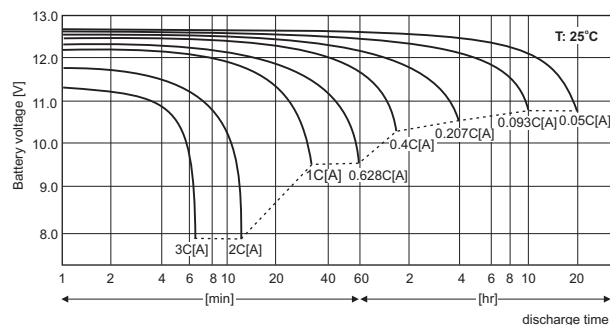
### TECHNICAL DATA

Nominal voltage	12 V
Nominal capacity	1,2 Ah / C <sub>20</sub>
Designed life	3 - 5 years @ 20°C by Eurobat Standard Commercial group
Weight	~ 0,57 kg
Dimensions	
Height	59 mm
Length	97 mm
Width	43 mm
Internal resistance	≤ 90 mΩ
Charging voltage @ 25°C	
Standby use	13,65 V ± 0,15 V
Cycle use	14,70 V ± 0,30 V
Charging current	
Recommended	0,12 A
Maximum	0,36 A
Max. discharge current (5 sec)	18,0 A
Ambient nominal temperature range	
storage	-15°C - 40°C
charge	0°C - 40°C
discharge	-15°C - 50°C
Container material	
Standard	ABS UL 94-HB
Flame retardant (optional)	ABS UL 94-V0

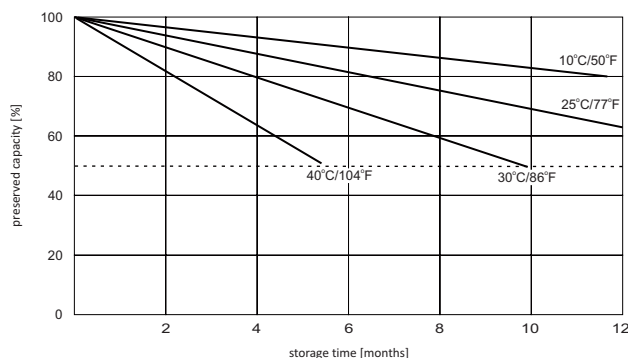
### NO TRANSPORT RESTRICTIONS

Not restricted for air, surface and water transportat. Classified as non-hazardous material (IATA/ICAO Special Provision A67, DOT-CFR Title 49 parts 171-189, IMDG amendment 27.)

### DISCHARGE CHARACTERISTICS



### SELFDISCHARGE CHARACTERISTICS



### DIMENSIONS

