

ACUMAX® sealed maintenance-free lead-acid battery AML series



AML 55-12

- uninterruptible power supplies
- telecom power supply systems
- telecommunication PABX
- power station
- fire and security systems
- solar powered systems
- emergency lighting systems
- cable TV

Technical data

Nominal voltage	12 V
Nominal capacity	55 Ah/ C ₂₀
Design life	8 years @ 25°C 10-12 years @ 20°C according to Eurobat, Long Life group
Weight	~ 17.0 kg
Dimensions	
Height	214 mm
Length	226 mm
Width	135 mm
Internal resistance	≤ 8.0 mΩ
Charging voltage @ 25°C	
Standby use	13.65 V ± 0.18 V
Cycle use	14.70 V ± 0.30 V
Charging current	
Recommended	5.5 A
Maximum	16.5 A
Max. discharge current (5s)	660 A
Container material	
Standard	ABS UL 94-HB
Optional (Flame-retardant)	ABS UL 94-V0

Battery approved for transportation by air, sea or land. Classified as non-hazardous material: IATA/ICAO Special Provision A67, DOT-CFR Title 49 parts 171-189, IMDG amendment 27.

Constant current discharge (Current [A], 25 [°C] / 77 [°F])

U _f [V/cell]	Discharge time										
	5min	10 min	15 min	30min	1h	2h	3h	4h	5h	10h	20h
1,80	204	127	95,6	50,2	33,2	18,4	13,8	11,5	9,74	5,63	2,89
1,75	219	138	103	54,1	34,5	19,2	14,3	11,7	9,92	5,65	2,96
1,70	228	143	107	55,8	35,4	19,8	14,7	11,9	10,1	5,71	3,00

Constant power discharge (Power [W/cell], 25 [°C] / 77 [°F])

U _f [V/cell]	Discharge time										
	5min	10 min	15 min	30min	1h	2h	3h	4h	5h	10h	20h
1,75	413	269	217	129	69,3	38,9	29,2	23,7	20,0	11,1	5,93
1,70	430	280	225	134	70,8	40,0	29,8	24,2	20,3	11,3	6,05
1,67	434	282	227	135	71,3	40,3	30,0	24,3	20,5	11,3	6,08

U_f - Final voltage



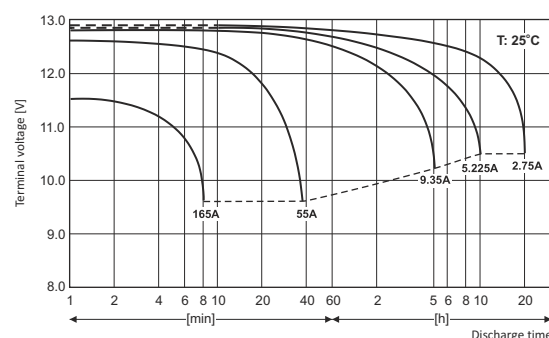
ACUMAX®

Change no: 6/2017.11

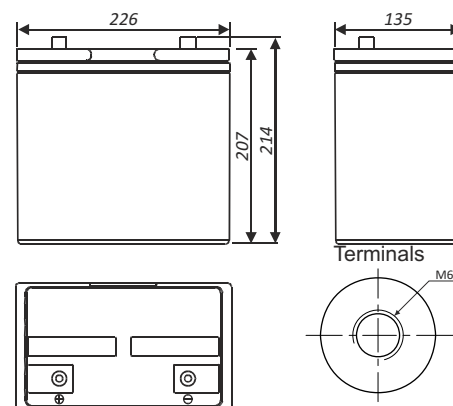
Main applications

- marine
- golf-carts, wheelchairs
- mobile and portable equipment
- medical equipment

Discharge characteristics



Dimensions



Tolerance: + 2mm/- 1mm;