

# ACUMAX® sealed maintenance-free lead-acid battery AML series



## AML 40-12

Sealed, maintenance free, lead-acid **ACUMAX®** batteries with a **10 - 12** years designed lifetime are made in **AGM** technology - electrolyte is absorbed in highly porous fiber glass separators placed between the plates. They use a gas recombination cycle which prevents electrolyte loss and allows the batteries to be used in rooms without forced ventilation, that are occupied by people. One-way, self-regulating pressure relief valves prevent the case from blowing up, by preventing excessive buildup of pressure in the cells.

- uninterruptible power supplies
- telecom power supply systems
- telecommunication PABX
- power station
- fire and security systems
- solar powered systems
- emergency lighting systems
- cable TV

### Main applications

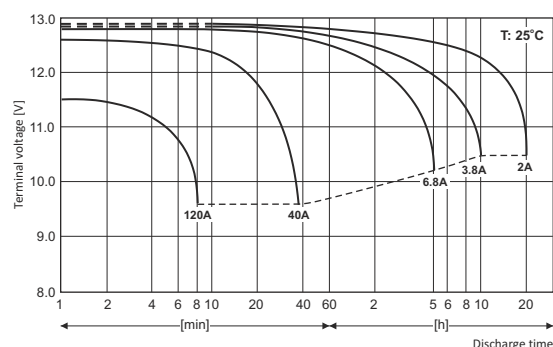
- marine
- golf-carts, wheelchairs
- mobile and portable equipment
- medical equipment

### Technical data

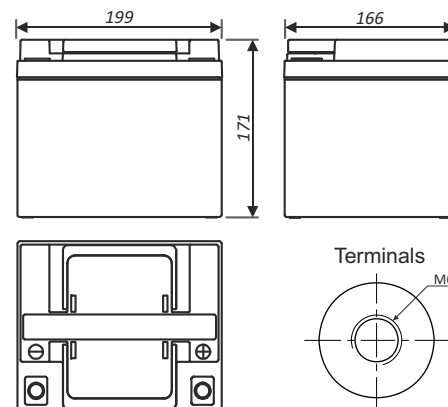
Nominal voltage	12 V
Nominal capacity	40 Ah/ C <sub>20</sub>
Design life	8 years @ 25°C 10-12 years @ 20°C according to Eurobat, Long Life group
Weight	~ 13.4 kg
Dimensions	
Height	171 mm
Length	199 mm
Width	166 mm
Internal resistance	≤ 7.5 mΩ
Charging voltage @ 25°C	
Standby use	13.65 V ± 0.18 V
Cycle use	14.70 V ± 0.30 V
Charging current	
Recommended	4 A
Maximum	12 A
Max. discharge current (5s)	480 A
Container material	
Standard	ABS UL 94-HB
Optional (Flame-retardant)	ABS UL 94-V0

Battery approved for transportation by air, sea or land. Classified as non-hazardous material: *IATA/ICAO Special Provision A67, DOT-CFR Title 49 parts 171-189, IMDG amendment 27.*

### Discharge characteristics



### Dimensions



Tolerance: + 3mm/- 1mm;

### Constant current discharge (Current [A], 25 [°C] / 77 [°F])

U <sub>f</sub> [V/cell]	Discharge time												
	5 min	10 min	15min	20 min	30 min	1h	2h	3h	4h	5h	8h	10h	20h
<b>1,80</b>	121	101	73,5	59,7	44,7	30,2	16,9	11,4	8,84	7,39	4,79	3,96	2,06
<b>1,75</b>	126	104	79,1	62,1	46,6	30,9	17,0	11,6	9,03	7,50	4,88	4,01	2,12
<b>1,70</b>	127	106	80,0	62,4	47,0	31,3	17,1	11,7	9,13	7,54	4,90	4,03	2,13

### Constant power discharge (Power [W/cell], 25 [°C] / 77 [°F])

U <sub>f</sub> [V/cell]	Discharge time												
	5 min	10 min	15min	20 min	30 min	1h	2h	3h	4h	5h	8h	10h	20h
<b>1,75</b>	227	196	147	122	90,8	56,8	33,6	23,4	17,9	15,2	9,89	7,27	3,89
<b>1,70</b>	230	198	149	123	92,0	58,0	33,8	23,6	18,3	15,3	9,94	7,40	4,01
<b>1,67</b>	232	200	151	123	93,1	59,3	34,0	23,8	18,4	15,4	10,0	7,50	4,11

U<sub>f</sub> - Final voltage

