

# ACUMAX® sealed maintenance-free lead-acid battery AML series



## AML 35-12

- uninterruptible power supplies
- telecom power supply systems
- telecommunication PABX
- power station
- fire and security systems
- solar powered systems
- emergency lighting systems
- cable TV

### Technical data

Nominal voltage	12 V
Nominal capacity	35 Ah/ C <sub>20</sub>
Design life	8 years @ 25°C 10-12 years @ 20°C according to Eurobat, High Performance group
Weight	~ 10.5kg
Dimensions	
Height	170 mm
Length	197 mm
Width	131 mm
Internal resistance	≤ 11.0 mΩ
Charging voltage @ 25°C	
Standby use	13.65 V ± 0.18 V
Cykle use	14.70 V ± 0.30 V
Charging current	
Recommended	3.5 A
Maximum	10.2 A
Max. discharge current (5s)	510 A
Container material	
Standard	ABS UL 94-HB
Optional (Flame-retardant)	ABS UL 94-V0

Battery approved for transportation by air, sea or land. Classified as non-hazardous material: IATA/ICAO Special Provision A67, DOT-CFR Title 49 parts 171-189, IMDG amendment 27.

### Constant current discharge (Current [A], 25 [°C] / 77 [°F])

U <sub>k</sub> [V/cell]	Discharge time										
	5 min	10 min	15 min	30 min	1h	2h	3h	4h	5h	10h	20h
1,80	93,4	66,7	54,7	31,1	18,3	10,8	7,85	6,08	5,21	3,02	1,59
1,75	101	73,4	61,0	33,9	19,8	11,6	8,42	6,51	5,49	3,08	1,65
1,70	104	76,3	62,8	34,4	19,9	11,8	8,51	6,57	5,55	3,11	1,67

### Constant power discharge (Power [W/cell], 25 [°C] / 77 [°F])

U <sub>k</sub> [V/cell]	Discharge time										
	5 min	10 min	15 min	30 min	1h	2h	3h	4h	5h	10h	20h
1,75	171	129	104	55,8	38,5	23,5	16,1	12,9	11,0	6,57	3,35
1,70	176	137	110	59,0	38,8	23,7	16,2	13,1	11,1	6,60	3,38
1,67	182	140	112	60,3	39,0	23,8	16,4	13,2	11,2	6,63	3,40

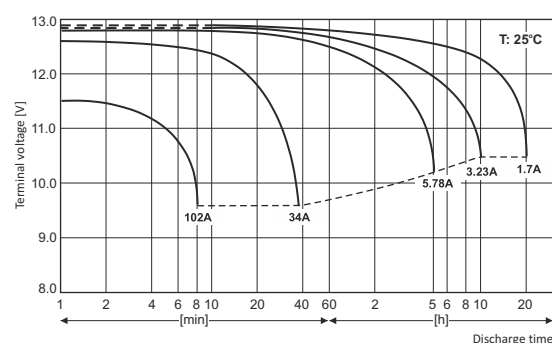
U<sub>f</sub> - Final voltage



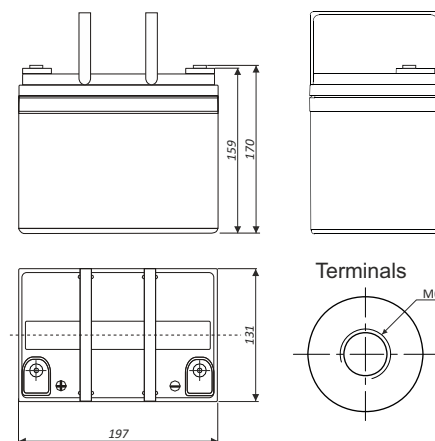
### Main applications

- marine
- golf-carts, wheelchairs
- mobile and portable equipment
- medical equipment

### Discharge characteristics



### Dimensions



Tolerance: +/- 2mm;