

ACUMAX® sealed maintenance-free lead-acid battery AML series



AML 18-12

- uninterruptible power supplies
- telecom power supply systems
- telecommunication PABX
- power station
- fire and security systems
- solar powered systems
- emergency lighting systems
- cable TV

Technical data

Nominal voltage	12 V
Nominal capacity	18 Ah/ C ₂₀
Design life	8 years @ 25°C 10-12 years @ 20°C according to Eurobat, Long Life group
Weight	~ 5.67 kg
Dimensions	
Height	167 mm
Length	181 mm
Width	76 mm
Internal resistance	≤ 8.5 mΩ
Charging voltage @ 25°C	
Standby use	13.65 V ± 0.18 V
Cycle use	14.70 V ± 0.30 V
Charging current	
Recommended	1.8 A
Maximum	5.4 A
Max. discharge current (5s)	270 A
Container material	
Standard	ABS UL 94-HB
Optional (Flame-retardant)	ABS UL 94-V0

Battery approved for transportation by air, sea or land. Classified as non-hazardous material: IATA/ICAO Special Provision A67, DOT-CFR Title 49 parts 171-189, IMDG amendment 27.

Constant current discharge (Current [A], 25 [°C] / 77 [°F])

U _F [V/cell]	Discharge time											
	5 min	10 min	15 min	30 min	1h	2h	3h	4h	5h	10h	20h	
1,80	68,3	41,8	34,6	18,7	10,3	6,23	4,52	3,52	3,02	1,77	0,914	
1,75	71,9	44,3	36,3	19,8	10,7	6,39	4,64	3,58	3,07	1,80	0,931	
1,70	75,1	46,5	37,7	20,7	11,0	6,53	4,73	3,62	3,11	1,82	0,946	

Constant power discharge (Power [W/cell], 25 [°C] / 77 [°F])

U _F [V/cell]	Discharge time											
	5 min	10 min	15 min	30 min	1h	2h	3h	4h	5h	10h	20h	
1,75	128	84,5	69,4	37,7	20,7	12,7	9,33	7,12	6,17	3,60	1,88	
1,70	135	89,1	72,5	39,4	21,3	13,1	9,53	7,27	6,27	3,67	1,92	
1,65	139	91,7	74,2	40,3	21,8	13,3	9,68	7,38	6,35	3,72	1,95	

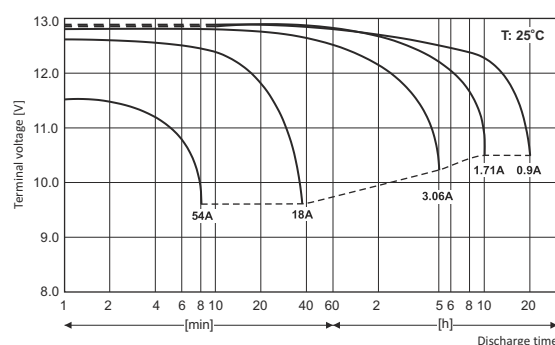
U_F - Final voltage



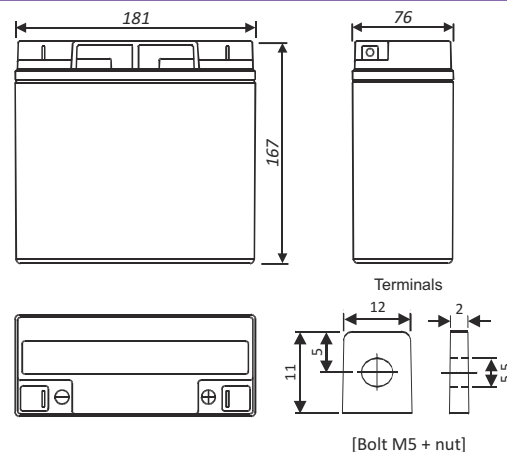
Main applications

- marine
- golf-carts, wheelchairs
- mobile and portable equipment
- medical equipment

Discharge characteristics



Dimensions



Tolerance: + 2mm/- 1mm;

[Bolt M5 + nut]