

ACUMAX® sealed maintenance-free lead-acid battery AML series



AML 12-12

- uninterruptible power supplies
- telecom power supply systems
- telecommunication PABX
- power station
- fire and security systems
- solar powered systems
- emergency lighting systems
- cable TV

Technical data

| | |
|-----------------------------|--|
| Nominal voltage | 12 V |
| Nominal capacity | 12 Ah/ C ₂₀ |
| Design life | 8 years @ 25°C 10-12 years @ 20°C according to Eurobat, Long Life group |
| Weight | ~ 4.02 kg |
| Dimensions | |
| Height | 98 mm |
| Length | 151 mm |
| Width | 98 mm |
| Internal resistance | ≤ 11.0 mΩ |
| Charging voltage @ 25°C | |
| Standby use | 13.65 V ± 0.18 V |
| Cycle use | 14.70 V ± 0.30 V |
| Charging current | |
| Recommended | 1.2 A |
| Maximum | 3.6 A |
| Max. discharge current (5s) | 180 A |
| Container material | |
| Standard | ABS UL 94-HB |
| Optional (Flame-retardant) | ABS UL 94-V0 |

Battery approved for transportation by air, sea or land. Classified as non-hazardous material: IATA/ICAO Special Provision A67, DOT-CFR Title 49 parts 171-189, IMDG amendment 27.

Constant current discharge (Current [A], 25 [°C] / 77 [°F])

| U _F [V/cell] | Czas rozładowania do napięcia końcowego | | | | | | | | | | |
|----------------------------|---|--------|--------|--------|------|------|------|------|------|------|-------|
| | 5 min | 10 min | 15 min | 30 min | 1h | 2h | 3h | 4h | 5h | 10h | 20h |
| 1,80 | 41,8 | 30,3 | 22,6 | 13,5 | 8,74 | 4,84 | 3,33 | 2,26 | 2,06 | 1,22 | 0,626 |
| 1,75 | 44,6 | 31,5 | 23,7 | 14,1 | 8,86 | 4,95 | 3,40 | 2,35 | 2,12 | 1,24 | 0,645 |
| 1,70 | 47,5 | 32,7 | 24,6 | 14,6 | 8,97 | 5,04 | 3,46 | 2,42 | 2,18 | 1,26 | 0,654 |

Constant power discharge (Power [W/cell], 25 [°C] / 77 [°F])

| U _F [V/cell] | Czas rozładowania do napięcia końcowego | | | | | | | | | | |
|----------------------------|---|--------|--------|--------|------|------|------|------|------|------|------|
| | 5 min | 10 min | 15 min | 30 min | 1h | 2h | 3h | 4h | 5h | 10h | 20h |
| 1,75 | 89,3 | 63,0 | 47,2 | 29,0 | 16,6 | 9,02 | 6,53 | 5,22 | 4,51 | 2,62 | 1,35 |
| 1,70 | 94,8 | 65,3 | 48,5 | 30,0 | 17,2 | 9,22 | 6,68 | 5,37 | 4,65 | 2,66 | 1,37 |
| 1,65 | 99,7 | 67,5 | 49,8 | 30,7 | 17,5 | 9,38 | 7,10 | 5,52 | 4,77 | 2,70 | 1,40 |

U_F - Final voltage



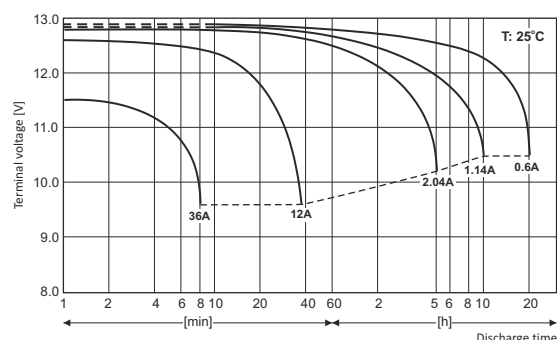
ACUMAX®

Sealed, maintenance free, lead-acid **ACUMAX**® batteries with a **10 - 12** years designed lifetime are made in **AGM** technology - electrolyte is absorbed in highly porous fiber glass separators placed between the plates. They use a gas recombination cycle which prevents electrolyte loss and allows the batteries to be used in rooms without forced ventilation, that are occupied by people. One-way, self-regulating pressure relief valves prevent the case from blowing up, by preventing excessive buildup of pressure in the cells.

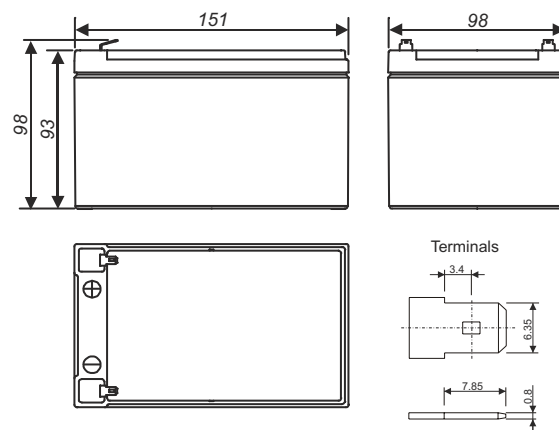
Main applications

- marine
- golf-carts, wheelchairs
- mobile and portable equipment
- medical equipment

Discharge characteristics



Dimensions



Tolerance: +/- 2mm;