

ACUMAX® sealed maintenance-free lead-acid battery AML series

Sealed, maintenance free, lead-acid ACUMAX® batteries with a 10 - 12 years designed lifetime are made in AGM technology - electrolyte is absorbed in highly porous fiber glass separators placed between the plates. They use a gas recombination cycle which prevents electrolyte loss and allows the batteries to be used in rooms without forced ventilation, that are occupied by people. One-way, self-regulating pressure relief valves prevent the case from blowing up, by preventing excessive buildup of pressure in the cells.

AML 110-12

- uninterruptible power supplies
- telecom power supply systems
- telecommunication PABX
- power station
- fire and security systems
- solar powered systems
- emergency lighting systems
- cable TV

Main applications

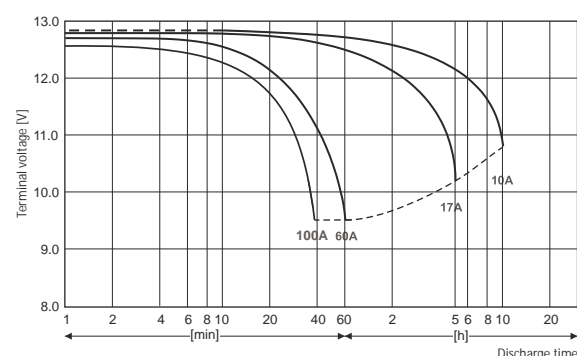
- marine
- golf-carts, wheelchairs
- mobile and portable equipment
- medical equipment

Technical data

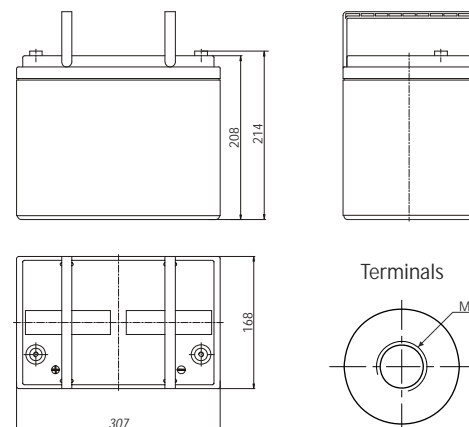
Nominal voltage	12 V
Nominal capacity	110 Ah/ C ₂₀
Design life	8 years @ 25°C 10-12 years @ 20°C according to Eurobat, Long Life group
Weight	~ 29.5 kg
Dimensions	
Height	214 mm
Length	307 mm
Width	168 mm
Internal resistance	£ 5.0 mW
Charging voltage @ 25°C	
Standby use	13.65 V ± 0.15 V
Cycle use	14.70 V ± 0.30 V
Charging current	
Recommended	11 A
Maximum	33 A
Max. discharge current (5s)	1200 A
Container material	
Standard	ABS UL 94-HB
Optional (Flame-retardant)	ABS UL 94-V0

Battery approved for transportation by air, sea or land. Classified as non-hazardous material: IATA/ICAO Special Provision A67, DOT-CFR Title 49 parts 171-189, IMDG amendment 27.

Discharge characteristics



Dimensions



Tolerance: +/- 3mm;

Constant current discharge (Current [A], 25 [°C] / 77 [°F])

U _f [V/cell]	Discharge time										
	5 min	10 min	15 min	30min	1h	2h	3h	4h	5h	10h	20h
1,80	267	188	146	83,7	50,8	29,3	23,7	19,1	16,7	10	5,38
1,75	305	209	165	92,1	56,5	32,5	24,8	19,8	17,2	10,2	5,50
1,70	336	226	179	101	60,6	35,6	25,7	20,5	17,6	10,4	5,61

Constant power discharge (Power [W/cell], 25 [°C] / 77 [°F])

U _f [V/cell]	Discharge time										
	5 min	10 min	15 min	30 min	1h	2h	3h	4h	5h	10h	20h
1,75	549	407	320	183	119	72	51,8	39,3	34,2	20	11
1,70	584	432	338	191	122	73,5	52,2	41,3	35,2	20,8	11,2
1,67	600	443	346	195	123	74,5	53	42	35,5	21,2	11,3

U_f - Final voltage

