



AMG 100-12

AMG series batteries made in **GEL technology** are designed for standby use (emergency power supply) as well as hard condition cycle use like large number of cycles, deep discharge and high temperature. The cycle life of AMG series batteries reaches **600 cycles** for 80% depth of discharge. One-way, self regulating pressure relief valves prevent the case from blowing up, by preventing excessive buildup of pressure in the cells.

- boats, yachts
- traction
- electric vehicles
- wheelchairs, golf-carts
- emergency lighting systems
- wind turbines
- solar powered systems
- cable TV

Main applications

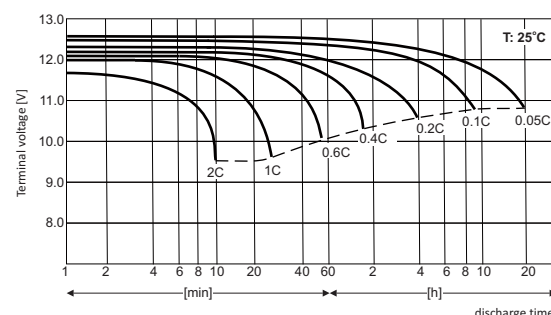
- uninterruptible power supplies (UPS)
- telecommunication PABX
- power station

Technical data

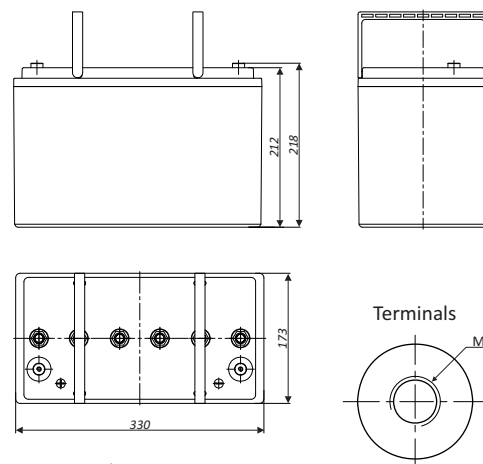
| | |
|------------------------------------|---|
| Nominal voltage | 12 V |
| Nominal capacity | 100 Ah/ C ₂₀ |
| Design life | 8 years @ 25°C 10-12 years @ 20°C according to Eurobat, High Performance group |
| Weight | ~ 31.0 kg |
| Dimensions | |
| Height | 218 mm |
| Length | 330 mm |
| Width | 173 mm |
| Internal resistance | ≤ 5.9 mΩ |
| Charging voltage @ 25°C | |
| Standby use | 13.65 V ± 0.15 V |
| Cycle use | 14.70 V ± 0.30 V |
| Charging current | |
| Recommended | 10 A |
| Maximum | 24 A |
| Max. discharge current (for 5 sec) | 1000 A |
| Container type | |
| Standard | ABS UL 94-HB |
| Fire retardant (optional) | ABS UL 94-V0 |

Not restricted for air, surface and water transport. Classified as non-hazardous material (IATA/ICAO Special Provision A67, DOT-CFR Title 49 parts 171-189, IMDG amendment 27).

Discharge characteristics graph



Dimensions



Tolerance: +/- 2mm;

Constant current discharge table (Current [A], 25 [°C])

| F.V. [V/cell] | Discharge time | | | | | | | | | | | | | |
|------------------|----------------|--------|--------|------|------|------|------|------|------|------|------|------|------|------|
| | 20 min | 30 min | 45 min | 1h | 2h | 3h | 4h | 5h | 6h | 7h | 8h | 9h | 10h | 20h |
| 1,80 | 96,9 | 74,2 | 55,9 | 46,8 | 29,1 | 22,0 | 18,0 | 15,4 | 12,9 | 11,4 | 10,3 | 9,42 | 8,85 | 4,90 |
| 1,75 | 108,9 | 81,6 | 60,4 | 50,1 | 30,9 | 23,2 | 18,9 | 16,0 | 13,3 | 11,8 | 10,6 | 9,70 | 9,00 | 5,00 |
| 1,70 | 117,3 | 87,4 | 64,1 | 53,0 | 32,7 | 24,2 | 19,5 | 16,5 | 13,8 | 12,2 | 10,9 | 10,0 | 9,23 | 5,06 |

Constant power discharge table (Power [W/cell], 25 [°C])

| F.V. [V/cell] | Discharge time | | | | | | | | | | | | | |
|------------------|----------------|--------|--------|-------|------|------|------|------|------|------|------|------|------|------|
| | 20 min | 30 min | 45 min | 1h | 2h | 3h | 4h | 5h | 6h | 7h | 8h | 9h | 10h | 20h |
| 1,75 | 203,4 | 154,4 | 115,4 | 96,5 | 59,8 | 45,2 | 36,8 | 31,4 | 26,3 | 23,3 | 21,0 | 19,3 | 17,9 | 9,75 |
| 1,70 | 216,8 | 163,9 | 121,7 | 101,6 | 63,1 | 46,9 | 37,9 | 32,3 | 27,1 | 24,0 | 21,6 | 19,7 | 18,3 | 9,86 |
| 1,67 | 223,1 | 168,5 | 125,1 | 104,8 | 64,4 | 48,2 | 38,7 | 32,8 | 27,5 | 24,3 | 21,9 | 20,0 | 18,5 | 9,95 |

F.V.- Final voltage

